

PROFESSIONAL SAW CHAIN SHARPENER

Chain saw appropriate machine



This product does not include a driver drill.

This product does not include a driver drill.

SKS-2355
Round file diameter is $\Phi 5.5\text{mm}$

Pioneer brand of grinder

MAIN FEATURE

- POINT 1** Professional recognition cutting quality.
- POINT 2** To prevent burn of blade , please use the low rotation grill tool.
- POINT 3** It can be operated without removing the chain.
- POINT 4** Can use for sharpen chainsaw, improve work efficiency, improve fuel efficiency
- POINT 5** Disposable chain saw can be recycle.



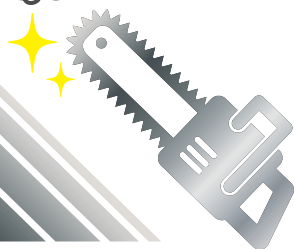
YouTube

PROFESSIONAL QUALITY



Made in JAPAN

Acquired the PCT patent



Before



After



No. **SKS-2340A** : $\Phi 4.0\text{mm}$ File diameter & PROFESSIONAL SAW CHAIN SHARPENER
 No. **SKS-2350A** : $\Phi 4.8\text{mm}$ File diameter & PROFESSIONAL SAW CHAIN SHARPENER
 No. **SKS-2355A** : $\Phi 5.5\text{mm}$ File diameter & PROFESSIONAL SAW CHAIN SHARPENER

PROFESSIONAL SAW CHAIN SHARPENER

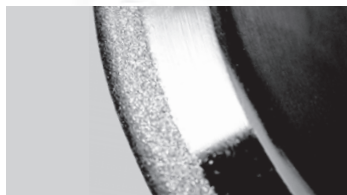
Chain saw appropriate machine

Quickly

Safely

Easily

Can use for sharpen chainsaw,
improve work efficiency,
improve fuel efficiency!

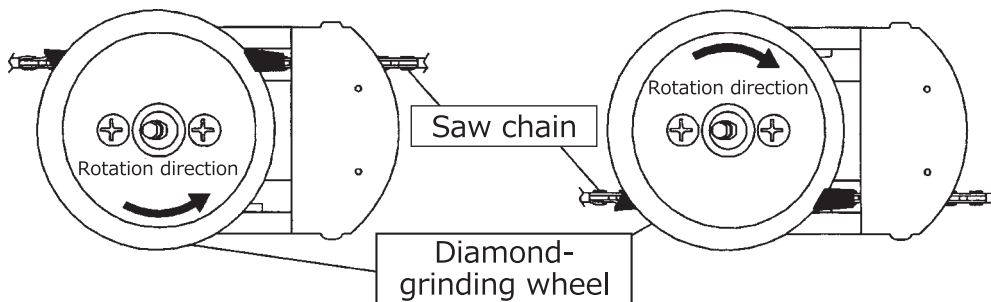


Model No.
SKS-2340A, SKS-2350A, SKS-2355A

Saw chain filing ability(ex.)

Chain acceptable	25AP 76E
Work time	approx. 5-6min

Diamond grinding wheel direction of rotation



Specifications

Purpose

Chain saw appropriate machine

Model No.

SKS-2340A

Φ4.0mm File diameter &
PROFESSIONAL SAW CHAIN SHARPENER

SKS-2350A

Φ4.8mm File diameter &
PROFESSIONAL SAW CHAIN SHARPENER

SKS-2355A

Φ5.5mm File diameter &
PROFESSIONAL SAW CHAIN SHARPENER

Weight

approx. 450g

Size

W143×D100×H88 mm

Contact Us...



KAZ CO., LTD.

Head office

2-11-41, FUKUI, MIKI-CITY, HYOGO-PREF., JAPAN (ZIP 673-0433)
Phone: +81-794-82-6588 FAX: +81-794-86-728

Office

MIKI · IBARAKI · KAGOSHIMA

■ E-mail: kaz@kaz-corp.com ■ <http://www.kaz-corp.com>